

FLUID FILTER

3/8"

TECHNICAL FEATURES

TRANSLATION OF THE ORIGINAL MANUAL

IMPORTANT : Before Assembly and Start-up, Please Read and Clearly Understand all the documents relating to this equipment (professional use only).

THE PICTURES AND DRAWINGS ARE NON CONTRACTUAL. WE RESERVE THE RIGHT TO MAKE CHANGES WITHOUT PRIOR NOTICE.

KREMLIN - REXSON

150, avenue de Stalingrad
93 245 - STAINS CEDEX – France

☎ : 33 (0)1 49 40 25 25 Fax : 33 (0)1 48 26 07 16

www.kremlin-rexson.com

1. DESCRIPTION

This stainless steel fluid filter, equipped with a base, model 3/8", is fitted at the outlet of the medium pressure fluid pumps (Maximum fluid pressure = 250 bar / 3626 psi).

When its bowl is pointing to upwards, the filter is used as an accumulator and as a filter. It is designed for easy rinsing.

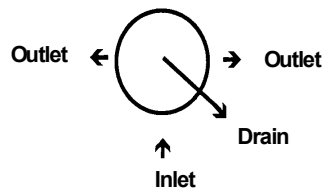
The filter is provided with 2 fluid outlets and with a drain outlet.

2. TECHNICAL FEATURES

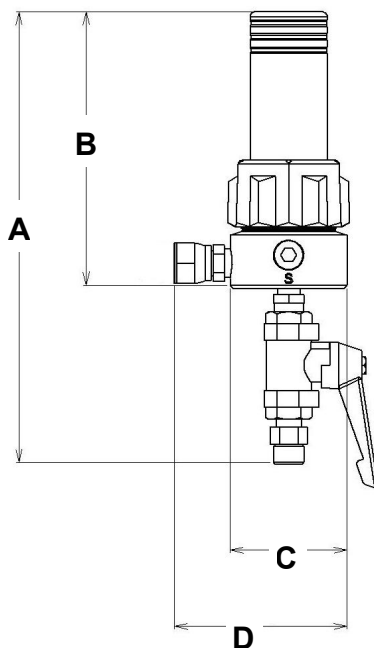
Maximum fluid pressure	250 bar / 3626 psi
Connections - Fluid inlet - Fluid outlet (S) - Drain outlet	1/2 JIC Female 1/2 JIC Male (# 5) or plug 3/8 NPT 18 x 125 Male (valve + fitting)
Filter element (stainless steel)	Screen n°6 - 168 µ
Wetted parts	Stainless steel / PTFE
Weight (kg)	2.420 Kg / 5.33 lb

Fixing the filter :
2 holes Ø 8 on the base

Inlet and outlets of filter :



■ DIMENSIONS



Ind.	mm	"
A	270	10.6
B	165	6.5
C	Ø 70	2.75
D	110	4.3