

PUMP

EOS 06-R440

TECHNICAL FEATURES

TRANSLATION FROM THE ORIGINAL MANUAL

IMPORTANT : Before assembly and start-up, please read and clearly understand all the documents relating to this equipment (professional use only).

THE PICTURES AND DRAWINGS ARE NON CONTRACTUAL. WE RESERVE THE RIGHT TO MAKE CHANGES WITHOUT PRIOR NOTICE.

KREMLIN - REXSON

150, avenue de Stalingrad
93 245 - STAINS CEDEX - France

☎ : 33 (0)1 49 40 25 25 **Fax** : 33 (0)1 48 26 07 16

www.kremlin-rexson.com

1. DESCRIPTION

- Air operated piston pump for high output
- Low maintenance and ease of use

Recommandé pour :

- Water-based or solvent-based paints (low pressure)
- Circulating

2. TECHNICAL FEATURES

Motor type	3000-100	Air motor stroke	100 mm	4"
Body pump type	R440	Air motor section	154 cm ²	23.9 sq.in
Theoretical pressure ratio	6/1	Fluid section	12 cm ²	1.86 sq.in
Weight :		Delivery per cycle	440 cm ³	15.5 oz
Wall mounted pump.....	55 kg / 121.25 lb	Number of cycle	2,3 per liter	8.6 per gallon
Bare pump.....	49 kg / 108 lb	Flow (20 cycles)	8,8 l	2.33 US gal
Wetted parts :		Maximum air operating pressure	6 bar	88 psi
Hard chrome stainless steel		Maximum discharge pressure	36 bar	523 psi
Stainless steel, carbide		Weighted sound pressure (LAeq)*	68,4 dBa	68,4 dBa
		Maximum operating temperature	50° C	122° F

Tightness packings :

Bellows : polyethylene

Upper fixed : GT seal (polyethylene)
or PU seal (red) on request

Lower, mobile : PEHD seal
or PU seal (red) on request

*Test conditions :

- Test duration : 30 s,
- Motor air pressure : 6 bar / 87 psi,
- Material used : water,
- Nb of cycles/min : 20,

■ FITTINGS

		Pump assembly
Air	Inlet	F 3/4" BSP
Fluid	Inlet	F 1" NPS
	Outlet	F 3/4" NPS

■ HOSES WITH FITTINGS

Pump air supply hose (minimum \varnothing for a 5m / 16.5 ft length) :

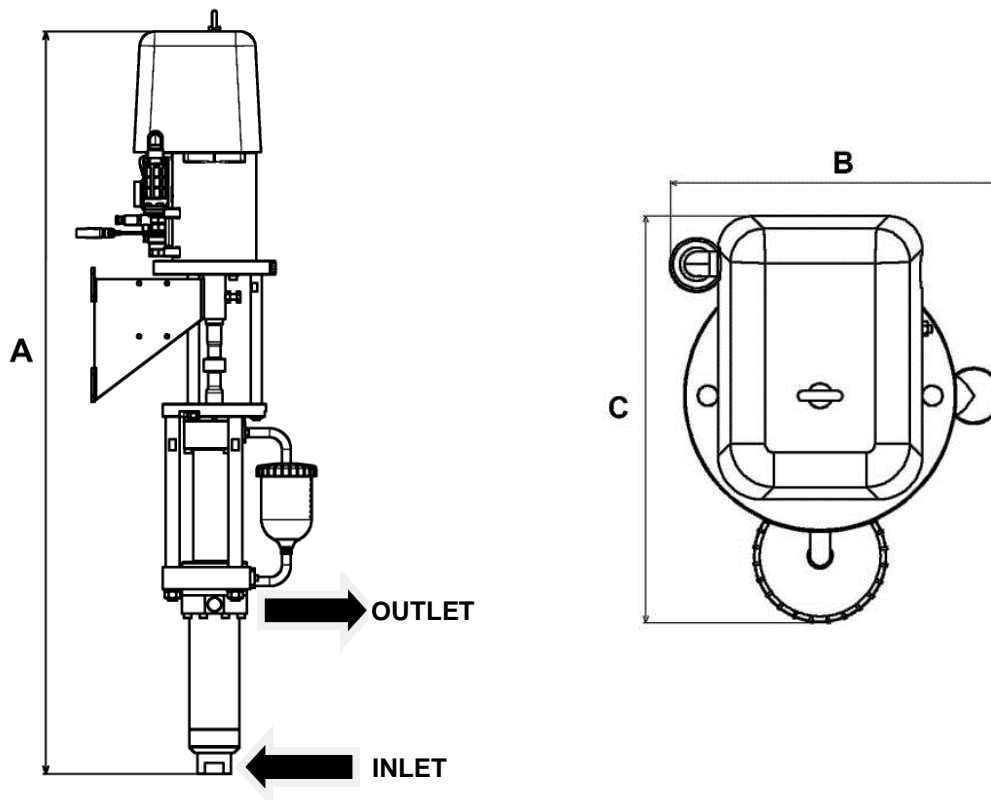
\varnothing 20 mm / 3/4 " dia.

HP fluid hose (pump fluid outlet) :

minimum ID 9,52 mm / 3/8 " dia.

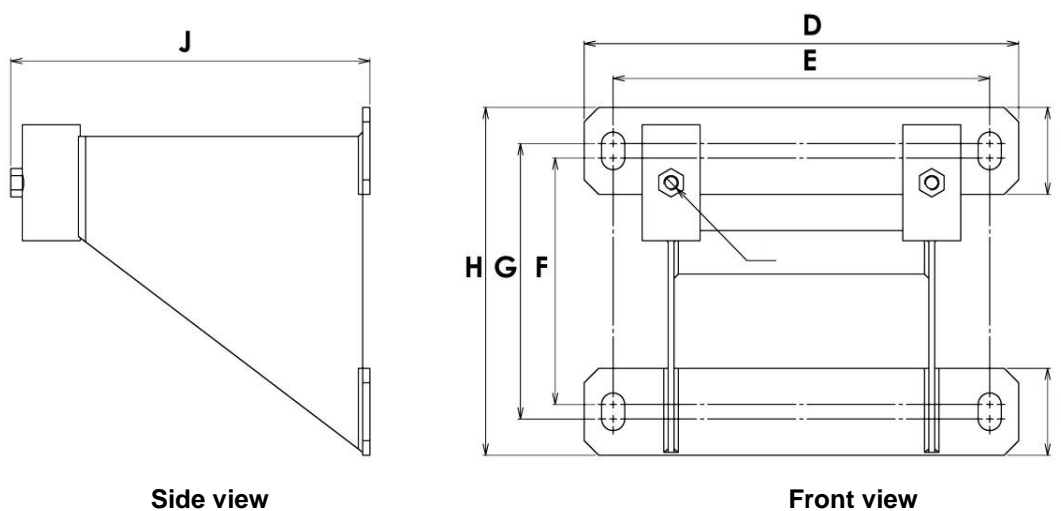
▪ **DIMENSIONS**

Ind.	mm	"	Ind.	mm	"	Ind.	mm	"
A	1333	52.48	B	265,5	10.45	C	326,5	12.85



▪ **WALL MOUNTED BRACKET OF THE PUMP**

Ind.	mm	"	Ind.	mm	"	Ind.	mm	"	Ind..	mm	"
D	300	11.81	E	260	10.23	F	170	6.7	G	190	7.48
H	240	9.45	I	60	2.36	J	248	9.76			

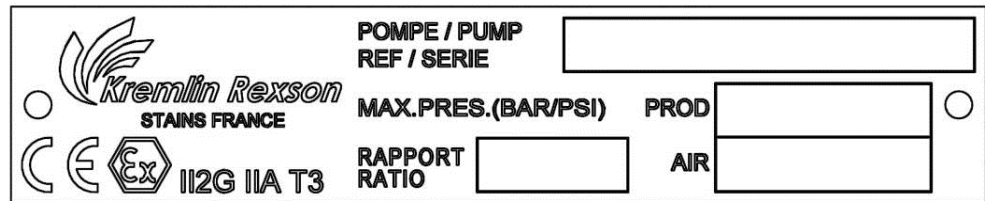


3. INSTALLATION

The pumps are designed to be installed in a spray booth.

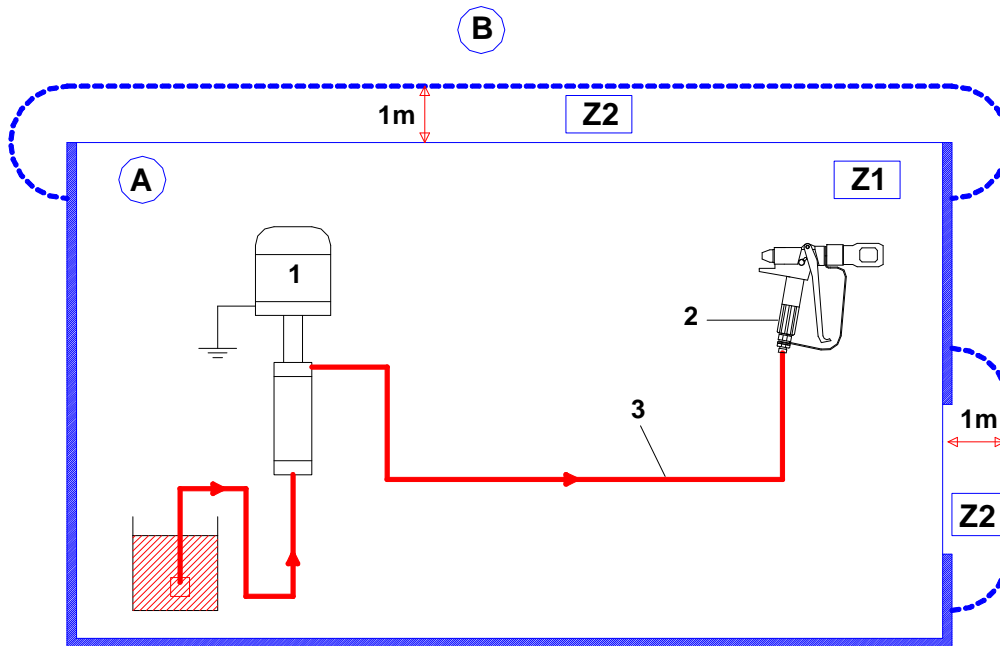
▪ DESCRIPTION OF THE LABEL MARKING

Marking according to the ATEX and Machines directives



KREMLIN REXSON	Manufacturer brand
CE	European Conformity
Ex II 2 G	II : group II 2 : class 2 Surface equipment meant to an area in which there is an explosive atmosphere with an excessive mixture of air, gases and vapours, which can occasionally build up during normal operation. G : gas
IIA T3	IIA : Gas group for the equipment category T3 : Maximum surface temperature : 200°C / 392°F
POMPE / PUMP	Pump version
REF.	Pump part number
SERIE	Number given by KREMLIN REXSON. The 2 first numbers indicate the manufacturing year.
MAX. PRES. (BAR/PSI)	
PROD	Maximum material pressure
AIR	Maximum air pressure
RAPPOR / RATIO	Pump pressure ratio

■ INSTALLATION INSTRUCTIONS



Ind.	Désignation
A	Explosive area area 1 (Z1) or area 2 (Z2) : spray booth
B	Non explosive area

Ind.	Désignation
1	Pump
2	Spray gun
3	Conductor high-pressure hose



The 1 m / 39.37" distance indicated in these diagrams is given for information purposes only and hold harmless to KREMLIN REXSON. The user is responsible for the extraction and conditioning of the painting area where the equipment is used, for working conditions conditions (refer to EN 60079-10 standard). The 1 m / 39.37" distance may be modified if trials carried out by the user deem this necessary.



NB: Choose the appropriate pump to ensure that the working pressure supplied is suitable for the selected gun.