



SPECIFICATIONS

**REGULEX® DOSING GUN ,
model compacted**

5, 25 & 50 cc

Manual : 1107 573.006.212

*Date : 06/07/11 – Supersede : 25/09/06
Modif.: Update*

TRANSLATION OF THE ORIGINAL MANUAL

ADDITIONAL DOCUMENTATIONS :

SPARE PARTS:	REGULEX® 2 et 5 cc	(Doc. 573.214.050)
	REGULEX® 25 cc	(Doc. 573.306.050)
	REGULEX® 50 cc	(Doc. 573.371.050)
	Valves assembly	(Doc. 573.183.050)

IMPORTANT : before assembly and start-up, please read and clearly understand all documents relating to this equipment (professional use only).

PICTURES AND DRAWINGS ARE NON CONTRACTUAL. WE RESERVE THE RIGHT TO MAKE CHANGES WITHOUT PRIOR NOTICE.

KREMLIN - REXSON
150, avenue de Stalingrad
93 245 - STAINS CEDEX – France
☎ : 33 (0)1 49 40 25 25 Fax : 33 (0)1 48 26 07 16

www.kremlin-rexson.com



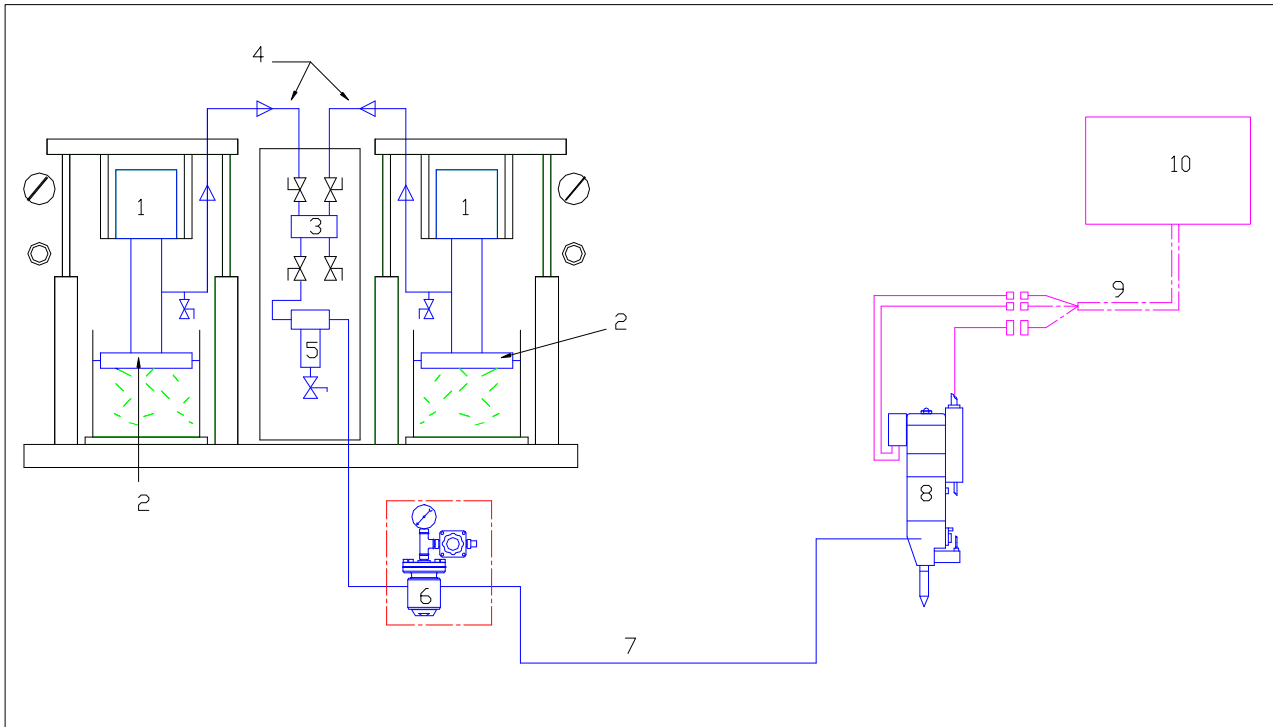
SPECIFICATIONS
REGULEX® DOSING GUN , model compacted
version 5, 25 and 50 cc

1. TECHNICAL FEATURES

The REGULEX® can apply materials which have viscosities from 2 000 up to 1 000 000 Cps.

	REGULEX, model 5 cc	REGULEX, model 25 cc	REGULEX, model 50 cc
Capacity (cm3)	5	25	50
Stroke	25 mm / 1"	12,5 mm / 0.5"	25 mm / 0.5"
Maximum flow (cm3/mn)	30	300	
Material application	Cold		
Maximum fluid inlet pressure	50 bar / 725 psi		
Air pressure (valves)	6 bar / 87 psi		
Motor type	brushless		
Pressure sensor	50 bar / 725 psi		
Height	445 mm / 17.5"	330 mm / 13"	350 mm / 13.8"
Weight	8 kg / 17.6 lb		
Fluid fittings			
Fluid inlet	F 1/4 BSP		
Fluid outlet	F 1/4 BSP		
Nozzle (optional)	Ø 1 - 1,5 - 2 - 2,5 - 3		
Electrical connections			
EV control and measure sensors	15 pins connector, Harting		
Motor	4 pins connector, Jaeger		
Tachometer	6 pins connector, Jaeger		

2. INSTALLATION



Ind.	Description
1	Extrusion pump (eg : 60.60)
2	Plate
3	Collector
4	HP hose \varnothing 13 (1/2"), length 2m / 78.75"
5	Filter, model 3/4
6	PM mastic regulator (optional)

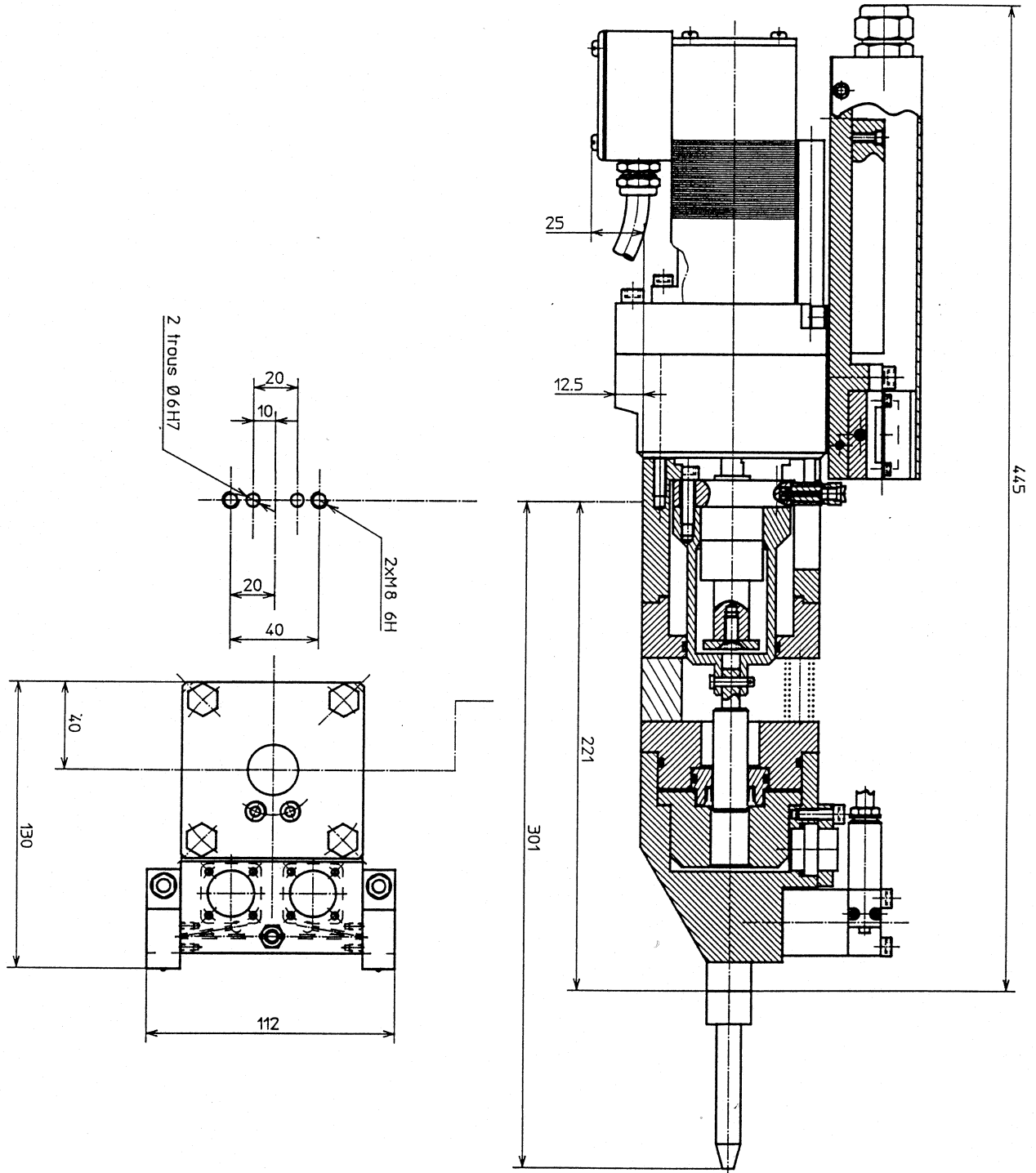
Ind.	Description
7	HP hose \varnothing 13 (1/2"), length 10m / 393.7"
8	Regulex dosing machine, model 5, 25 or 50
9	Regulex cables
10	Regulex control box



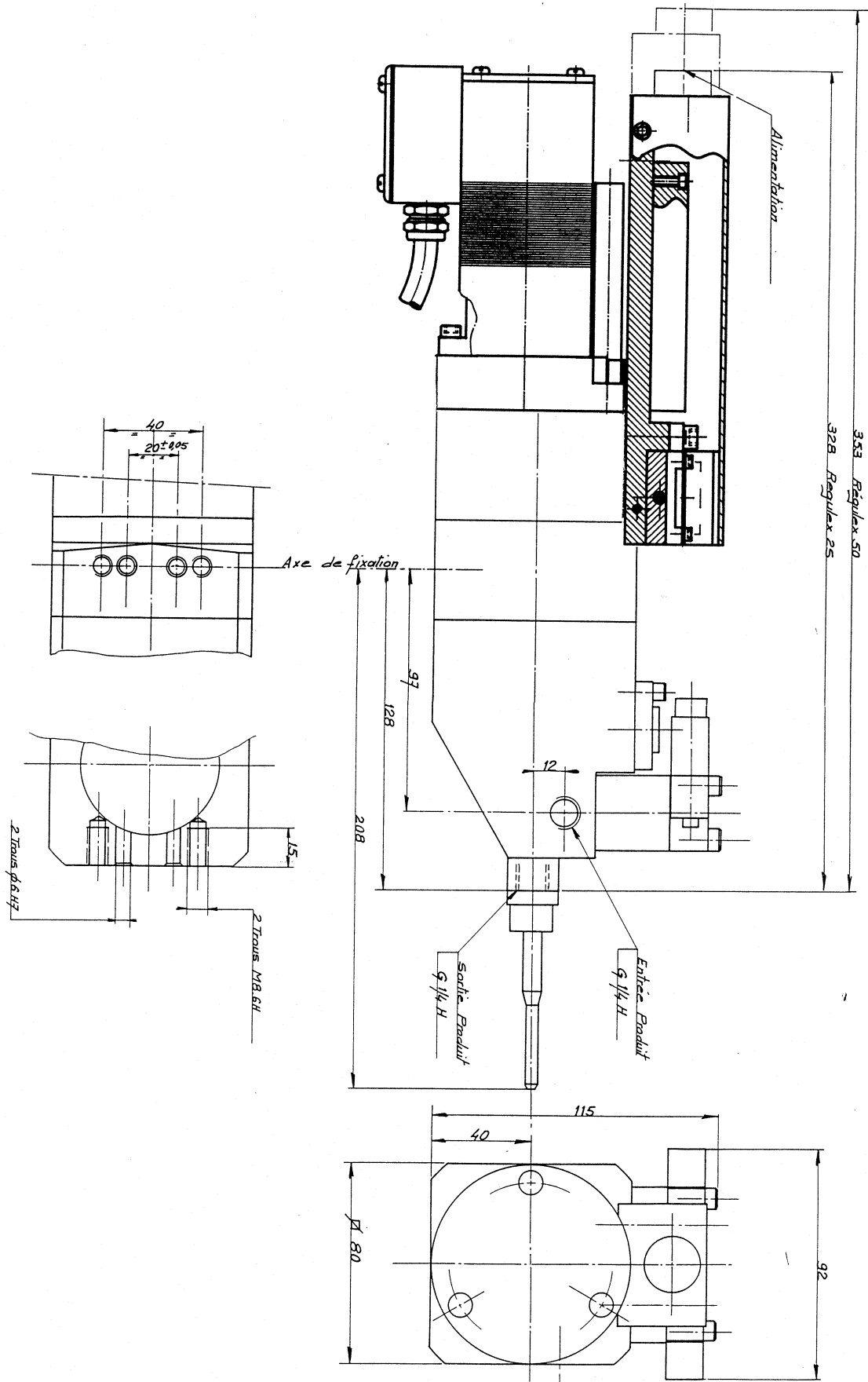
WARNING : the fluid pressure at the REGULEX® gun inlet must be lower or equal to 50 bar / 725 psi. An overpressure would lead to a bad operating of the equipment.

3. DIMENSIONS

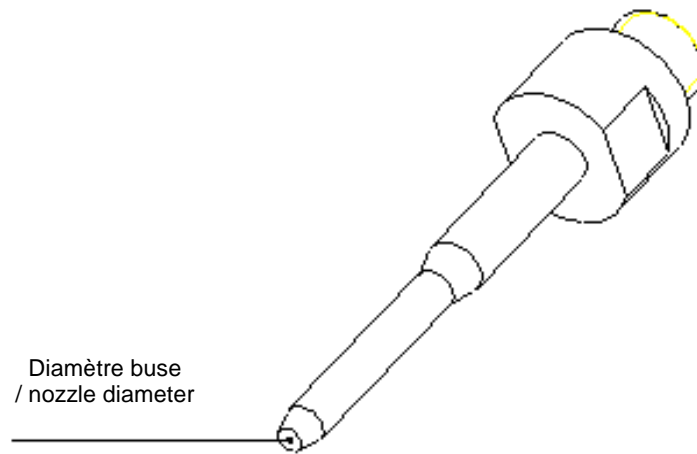
■ DIMENSIONS OF THE REGULEX, MODEL® 5 CC



■ DIMENSIONS OF THE REGULEX®, MODEL 25 CC AND 50 CC

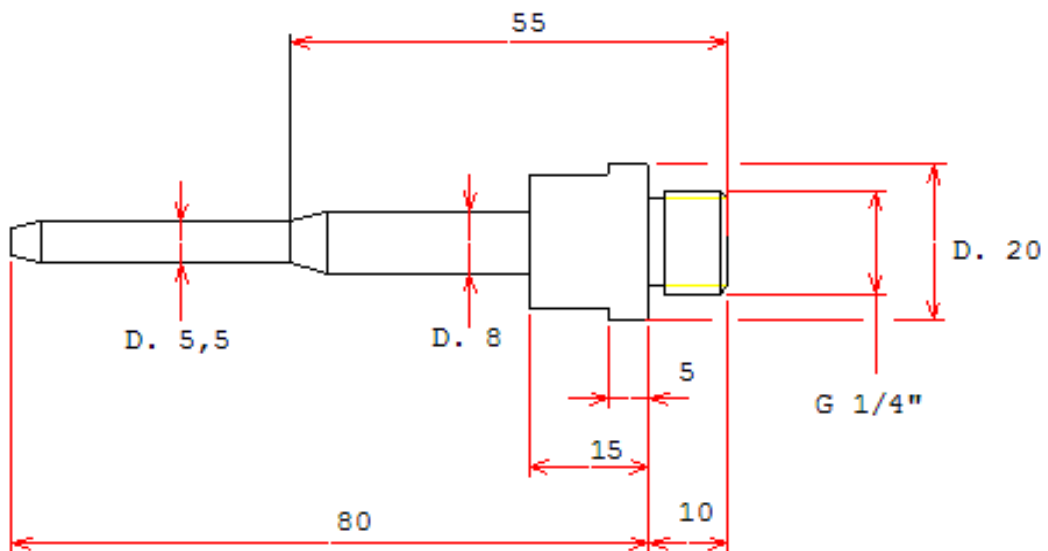


■ NOZZLES FOR REGULEX®, MODEL COMPACTED



Diamètre buse
/ nozzle diameter

Messingdüse Durchmesser
/ diámetro boquilla



4. ELECTRICAL CONNECTION OF A REGULEX®, MODEL COMPACTED

