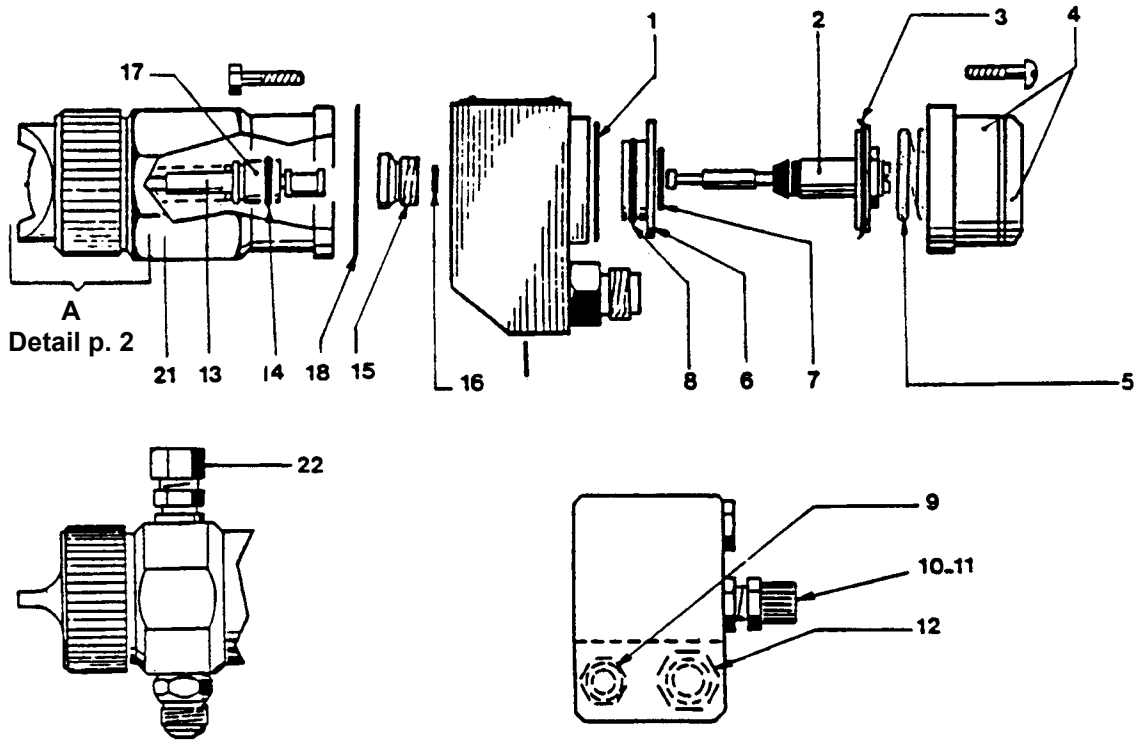




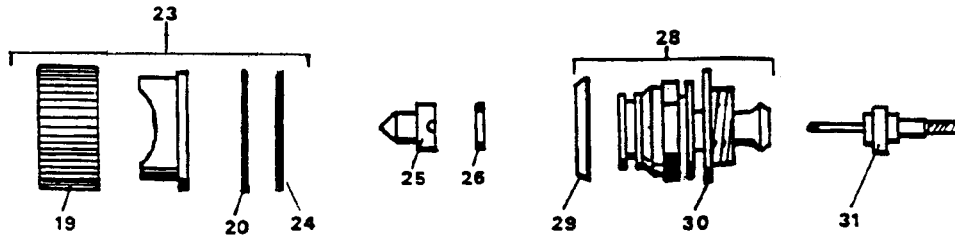
**AUTOMATIC GUN - MODEL AR, STAINLESS STEEL (without projector) - P.N° : 129.606.100**



Ind.	Part number	Description	Qty	Ind.	Part number	Description	Qty
1 *	129.479.913	O-Ring, cylinder (pack of 10)	1	14 *	129.529.906	Seal, cartridge (pack of 10)	1
2	029.470.500	Piston assembly	1	15	029.470.300	Front packing assembly	1
3 *	129.971.003	Packing, piston (pack of 10)	1	16 *	129.479.908	O-Ring, front packing holder (pack of 10)	1
4	129.605.090	Cylinder assembly	1	17	129.605.901	Packing holder (pack of 4)	1
5	050.313.503	Spring, piston	2	18 *	129.849.903	Flat seal (pack of 10)	1
6	029.470.400	Rear packing assembly	1	21	029.606.005	Front body	1
7 *	129.479.909	O-Ring (pack of 10)	1	22	906.333.301	Plug, 1/2 JIC, Female	1
8 *	129.479.912	O-Ring, outside (pack of 10)	1			<b>ON REQUEST</b>	
9	050.102.412	Fitting, air control, 14x125 Male	1	13	129.605.400	Cartridge assembly - 120 bar / 1,740 - Stainless steel	1
	905.124.901	Fitting, air control 4 x 6	1	-	049.351.000	Attachment	
10	029.605.300	Atomizing air adjustm. assembly	1	-	149.030.035	Wrench, needle replacement	
11 *	129.479.911	O-Ring (pack of 10).	1	*	129.849.904	Package of seals	1
12	050.102.134	Fitting, atomizing air 14x125 MM	1				
13	129.605.600	Cartridge assembly - 80 bar / 1,160 PSI - Stainless steel	1				1

## PROJECTORS FOR STAINLESS STEEL AR GUN

Detail A



Ind.	Part number	Description	Qty
23	See table	Air cap.	1
25	See table	Tip.	1
26	129.609.901 or 129.529.903	Microfilter 100 μ for tips size 03, 04, 06 (pack of 10) PTFE seal for tips size 09 and above (pack of 10)	1 1
28	129.600.100	Seat assembly (acetal resin) with seal	1
29	129.609.902	Package of 10 seat-holder seals	1
30	029.721.002	Air dividing ring	1
31	129.600.012	Needle (carbide)	1
28	129.600.003	<b>OPTIONAL :</b> Seat assembly (carbide) with seal	1

### AIR CAPS AND TIPS

#### AIR CAPS WITH RETAINING RING AND SEAL (ind. 23)

Type	Part number	Use	Part number	Accessories
BX 16	132.605.600	For adjustable pattern width - Adjustable flow rate	150.040.305	Seal, retaining ring (ind.20) (pack of 10)
BX 36	132.605.200	For permanent pattern width.	032.790.102	Retaining ring (ind. 19).
BX 56	132.605.300	For permanent pattern width - (non-stick coating)	032.730.103	Stop ring (ind. 24)
BX 86	132.605.100	For permanent pattern width.		

#### GROOVED TIP CHART (Ind. 25)

Size	Water output in l/mn			équiv. ∅ mm	Mesh number		Spray fan width at 25 cm	Mini	10 cm	13 cm	17 cm	21 cm	25 cm	29 cm	33 cm	38 cm
	20 bar	35 bar	50 bar		Gun filter	Pump filter		Maxi	12 cm	17 cm	21 cm	25 cm	29 cm	33 cm	37 cm	44 cm
03	0,075	0,10	0,15	0,18	4	2	Number engraved on the tip		03/056	03/076						
04	0,10	0,15	0,20	0,23	4	2 or 4			04/056	04/076	04/096	04/116				
06	0,15	0,20	0,30	0,28	4	4 or 6			06/056	06/076	06/096	06/116	06/136	06/156		
09	0,20	0,30	0,45	0,33	6	6 or 8			09/056	09/076	09/096	09/116	09/136	09/156		
12	0,25	0,35	0,62			8 or 12					12/076	12/096	12/116	12/136	12/156	12/176
14	0,30	0,40	0,70	0,41	12				14/056	14/076	14/096	14/116	14/136	14/156	14/176	
20	0,40	0,50	1,00	0,50	12					20/076	20/096	20/116	20/136	20/156	20/176	20/196
30	0,60	0,75	1,50	0,61		15							30/136		30/176	
45	0,90	1,15	2,25	0,73		20								45/176		

To obtain tip part number, replace the crosses by the engraved tip number preceded by 134.5XX.XXX  
Example : use part number 134.509.096 to order TIP 09/096.