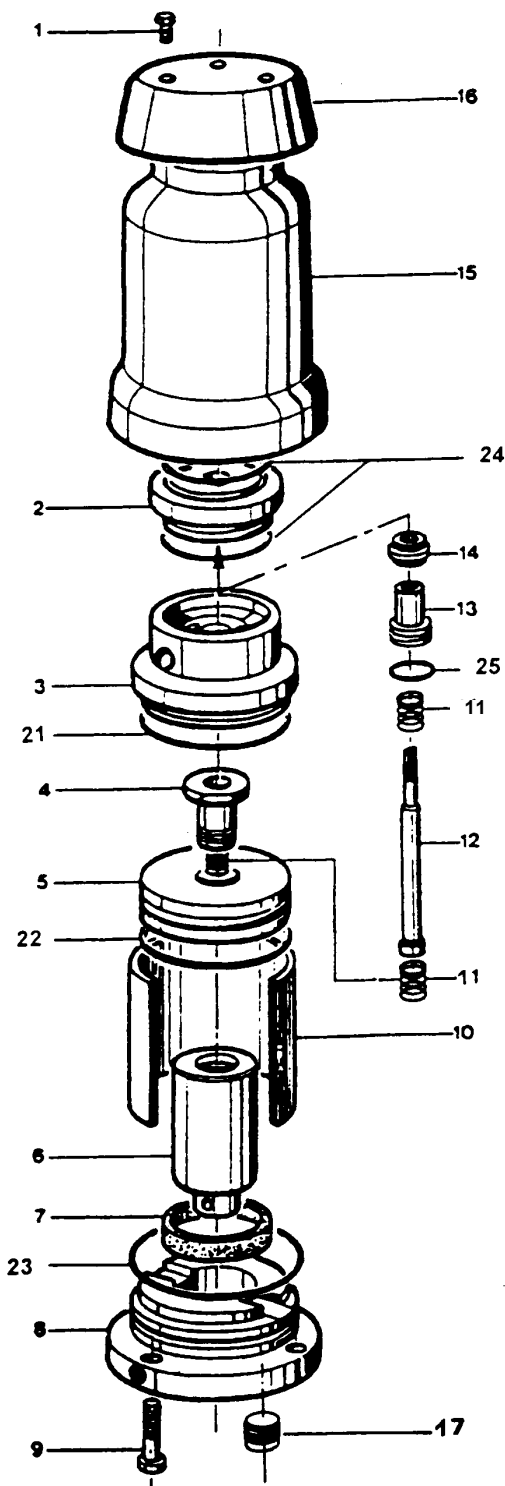




MOTEUR A AIR / AIR MOTOR – Mod. 340/2 FG

144.943.100



Ind.	#	Désignation	Description	Qté
1	933.011.141	Vis HM 4 x 10	Screw, HM 4 x 10	3
2	044.942.104	Couvercle	Cover, reversing body	1
3	044.850.107	Corps inverseur	Reversing body	1
4	044.550.006	Vis piston air	Screw, air piston	1
5	044.850.105	Piston air supérieur	Upper air piston	1
6	044.850.102	Piston air inférieur	Lower air piston	1
* 7	109.210.401	Joint U (pochette de 10)	Seal, pack of 10	1
8	044.850.101	Corps fond de cylindre	Lower support	1
9	933.011.443	Vis HM 6 x 35	Screw, HM 6 x 35	3
10	044.850.106	Cylindre air	Air cylinder	1
11	050.313.207	Ressort	Spring	2
12	044.850.103	Tige de commande assemblée	Control rod assembly	1
13	044.940.051	Porte-joint	Seal holder	1
14	044.550.013	Clapet	Valve	1
15	044.850.109	Cloche	Cover	1
16	044.850.110	Silencieux	Silencer	1
17	906.333.102	Bouchon G 1/4	Plug, G 1/4	1
21	909.420.259	Joint O Ring	O Ring	1
22	909.130.438	Bague R36	Ring, R 36	1
23	909.420.108	Joint O Ring	O Ring	1
24	909.420.220	Joint O Ring	O Ring	2
25	109.130.311	Bague R9 (par 10)	Ring, R 9 (pack of 10)	1
*	144.850.150	Pochette de maintenance / Servicing kit (ind. 7, 11, 14, 21, 22, 23, 24, 25)		1

* Pièces de maintenance préconisées tenues en stock

* Preceding the index number denotes a suggested spare part.