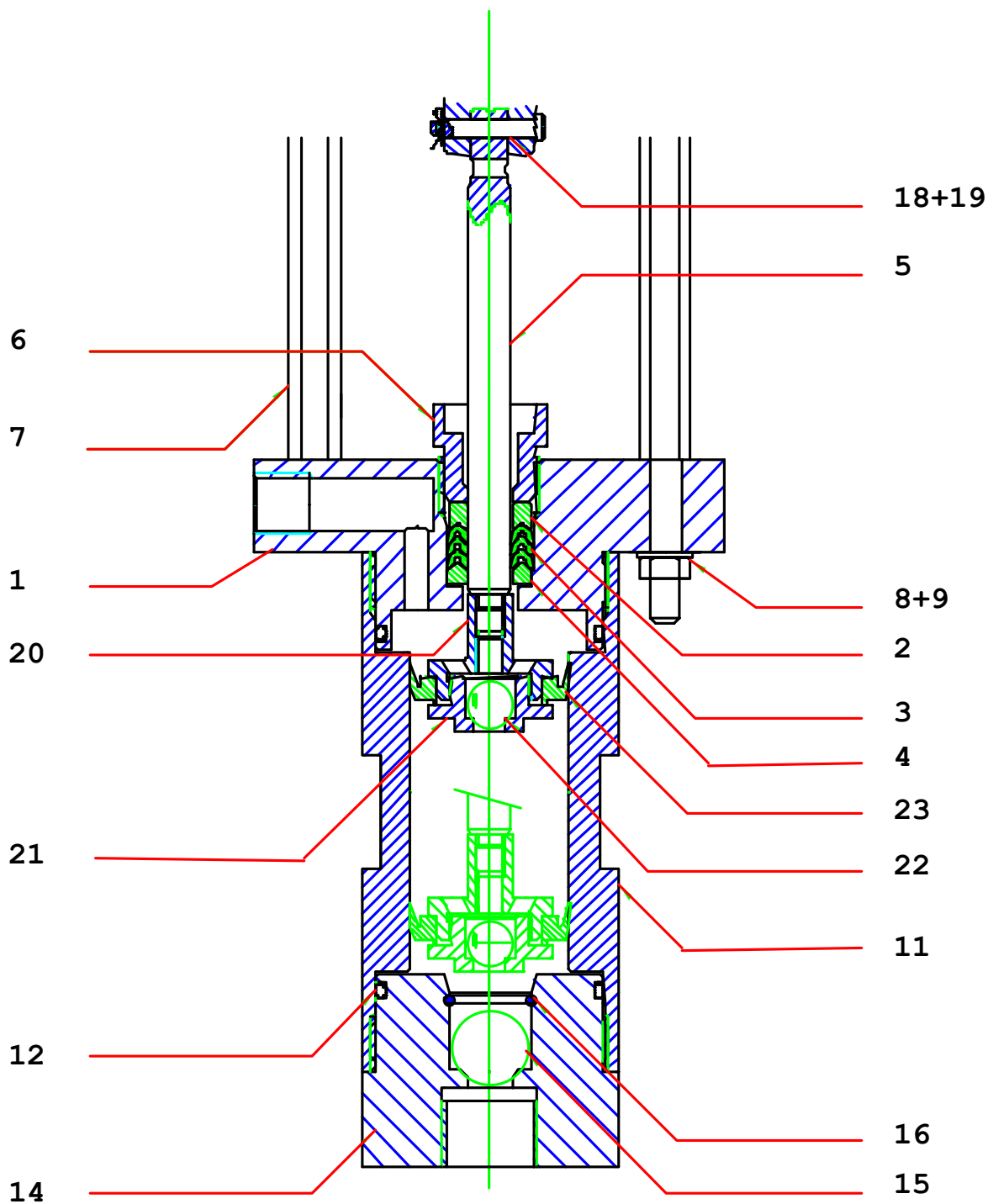




HYDRAULIQUE 40 FG / FLUID SECTION, MODEL 40 FG



Plan et nomenclature de l'hydraulique 40 FG
Parts identification list : Fluid section – model 40 FG

Rep.	Référence	Désignation	Description	Qté
1	044.942.201	Corps de cylindre supérieur	Body, upper cylinder	1
2	044.580.009	Bague d'appui femelle	Support ring, female	1
3	044.585.005	Joint chevron	Chevron seal	3
4	044.580.008	Bague d'appui mâle	Support ring, male	1
5	044.580.002	Tige de piston produit	Fluid piston rod	1
6	044.942.202	Presse garniture	Packing nut	1
7	044.850.112	Tirant	Tie-rod	3
8	963.040.016	Rondelle MN 6	Washer, MN 6	3
9	953.010.016	Ecrou HM 6	Nut, HM 6	3
11	044.808.201	Cylindre	Cylinder	1
12	144.585.290	Joint de cylindre (pochette de 10)	Seal, cylinder (pack of 10)	2
--	144.940.901	Ensemble clapet aspiration inox	Suction valve kit, stainless steel	1
14	N C S / N S S	• Corps de clapet inox	• Body, valve, stainless steel	1
15	907.414.142	• Bille inox Ø 16	• Ball, Ø 16 mm, stainless steel	1
16	044.550.029	• Jonc	• Retaining ring	1
12	144.585.290	• Joint (pochette de 10)	• Seal (pack of 10)	1
17	144.850.152	Ensemble accouplement	Coupling kit	1
18	044.850.001	• Axe	• Connecting pin	1
19	983.020.157	• Goupille	• Cotter pin	1
20	044.805.101	Support clapet	Support, valve	1
21	044.805.102	Siège	Seat	1
22	907.414.123	Bille Ø 9,52 inox	Ball, Ø 9,52 mm, stainless steel	1
23	044.943.201	Joint de clapet	Seal, valve	1
	144.943.098	Pochette de joints / Package of seals (ind. 2, 3, 4, 12, 15, 16, 22, 23)		1

N C S : non commercialisé seul
N S S denotes part is not serviceable separately.