



SPECIFICATIONS

EXTRUSION PUMP

Model 80-135

Model 80-135 HL

Manual : 1004 573.049.212

Date : 1/04/10 - Supersede : 9/02/04

Modif. : Update

ORIGINAL MANUAL

IMPORTANT : before assembly and start-up, please read and clearly understand all documents relating to this equipment (professional use only).

PICTURES AND DRAWINGS ARE NON CONTRACTUAL. WE RESERVE THE RIGHT TO MAKE CHANGES WITHOUT PRIOR NOTICE.

ADDITIONAL DOCUMENTATIONS FOR PUMP, MODEL 80-135

SPARE PARTS :	Wall mounted unit	(doc. 573.270.050)
	Fluid section	(doc. 573.508.040)
	Air motor	(doc. 573.507.040)
	Reversing block	(doc. 573.087.040)

For pump, model 80-135 HL		
	Heating equipment	(doc. 573.514.040)

KREMLIN - REXSON

150, avenue de Stalingrad
93 245 - STAINS CEDEX – France

 : 33 (0)1 49 40 25 25 Fax : 33 (0)1 48 26 07 16

www.kremlin-rexson.com



SPECIFICATIONS
EXTRUSION PUMP, model 80-135, 80-135 HL

1. TECHNICAL FEATURES

- Pump with pallet
- Cold extrusion (model : 80-135) or hot extrusion (model : 80-135 HL) pump

Recommended for :

- supplying one or several spray guns
- extruding thick or very thick materials from a drum

PUMP, MODEL 80-135 (for cold extrusion) Motor model8000-6 Pump body model.....135 Pressure ratio80/1	Air motor stroke	150 mm	6"
	Air motor section	748 cm ²	116 sq.in
	Fluid section	9 cm ²	9 cm ²
	Delivery per cycle	270 cm ³	16.5 cu.in
Wetted parts : Hard chrome stainless steel, stainless steel, aluminium alloy, treated steel Tightness packings : Upper : PTFE G (x 3) + PE (x 4) Lower : PTFE G (x 4) + POLYFLUID (x 4)	Number of cycle	3,7 per liter	14 per US gal
	Fluid flow rate (10 cycles).	2,7 l	0.71 US gal
	Maximum power air pressure	6 bar	87 psi
	Maximum piloting air pressure	4 bar	58 psi
	Maximum fluid pressure	480 bar	6961 psi
	Noise level	< 82 dBa	< 82 dBa
	Maximum operating temperature	50°C	122° F
	Air consumption per cycle (under 4 bar / 58 psi air pressure)	135 l	35.6 US gal
	Weight	95 kg	210 lb

PUMP, MODEL 80-135 HL (for hot extrusion) Motor model8000-6 Pump body pump135 HL Pressure ratio 80/1	Maximum operating temperature	120°C	248° F
--	-------------------------------	-------	--------

FIITINGS

		Bare pump
Air	Inlet	F 3/4" BSP
Material	Inlet	Adaptation flange for follower plate
	Outlet	F 1" BSP

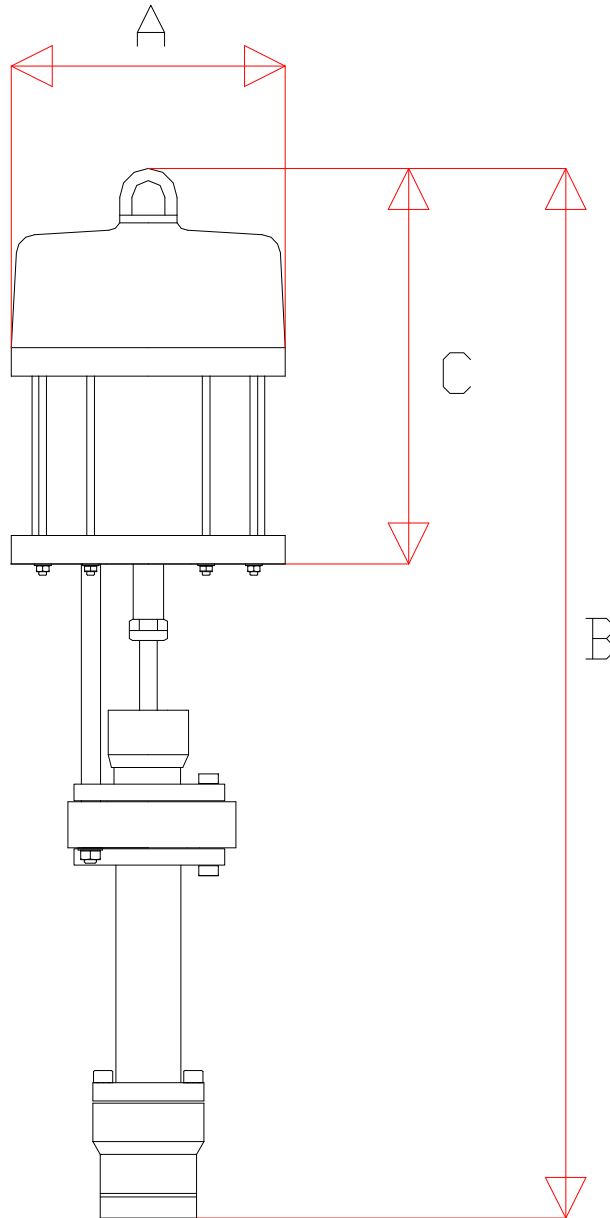
■ **HOSES WITH FITTINGS**

Pump air supply hose (minimum \varnothing for a 5 m / 16.5 ft length) :

\varnothing 20 mm / 3/4" dia.

■ **DIMENSIONS**

Ind.	A	B	C	B + pallet downwards
mm	\varnothing 380	1 320	520	1480
"	15	52	20.5	59



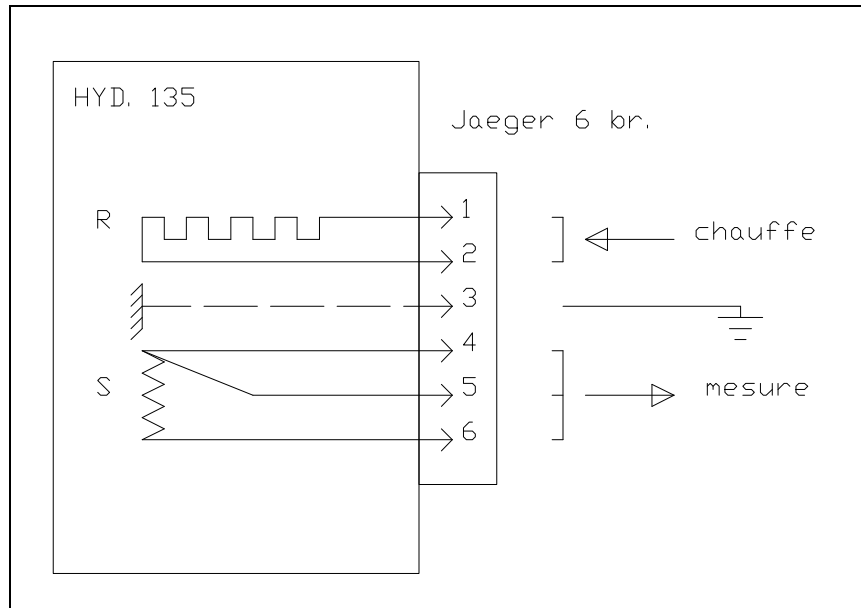
■ ELECTRIC CONNECTION (FOR HOT EXTRUSION PUMP : 80-135 HL)

Stoking via heated collar : Supply voltage : 220V
Power : 400 W
Temperature measure : Platinum temperature sensor

Electric connection : 6-pin
male connector, JAEGER

R : resistance

S : sensor



2. MAINTENANCE



WARNING :

Before any intervention on the pump, shut off the compressed air supply, depressurize the systems by triggering the gun and opening the drain valve.

Guards (motor cover, coupling shields, connectors,...) have been designed for a safe use of the equipment.

The manufacturer will not be held responsible for bodily injury or failure and / or property damage due to destruction, the overshadowing or the partial or total removal of the guards.

■ DISASSEMBLY OF THE FLUID SECTION, MODEL 135 WITH PALLET

Disassemble the fluid section from the air motor.

Disassemble the fluid section from the follower plate.

Unscrew the pump wetting-cup (2).

Remove the screws (5) to disassemble the cartridge body (36) from the upper flange (3).

Remove the cartridge body (36).

→ Remove the A packing.

Push the piston (1) downwards.

Unscrew the nut (10).

→ Remove the filling valve (12).

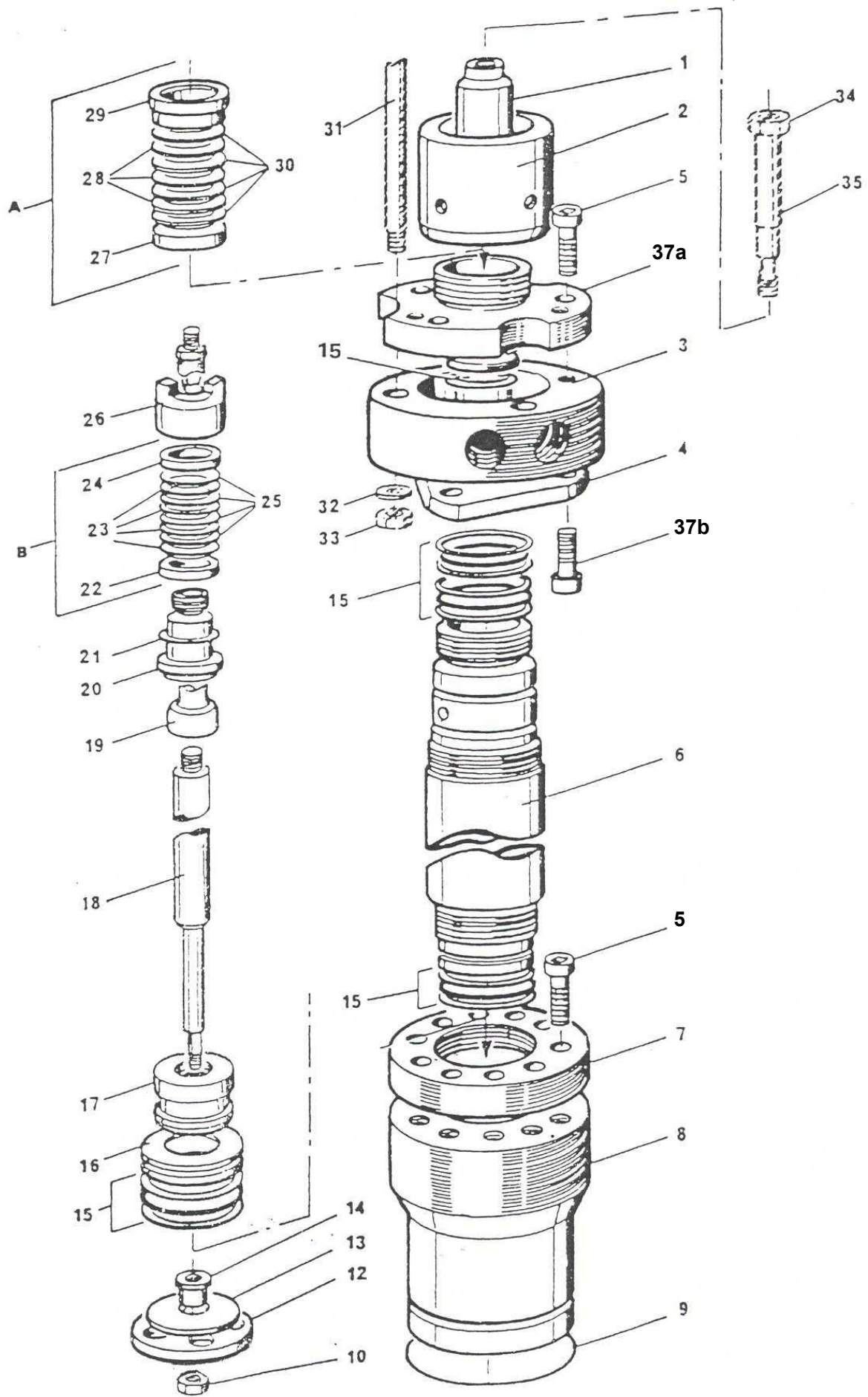
Unscrew the screws (5) that hold the lower flange (8) to the adapter part (7).

Disassemble the 2 parts from the cylinder (6).

→ Remove the suction valve (17).

Unscrew the filling-rod (18) and the exhaust valve (19).

→ Remove the packing (B).



■ REASSEMBLY

Change all the flat seals and the O-Rings - Lubricate them.

Clean all the parts with white spirit or with the appropriate solvent.

UPPER PACKING

Lubricate the chevron seals (28 and 30), assemble them as well as the washers (27-29-40) into the cartridge body (36). **Make sure you correctly install the parts (refer to detail on drawing).**

Screw the cup (2) by hand without tightening the cartridge body (36).

Insert the piston (1) into assembly (36, A, 2) downwards to upwards.

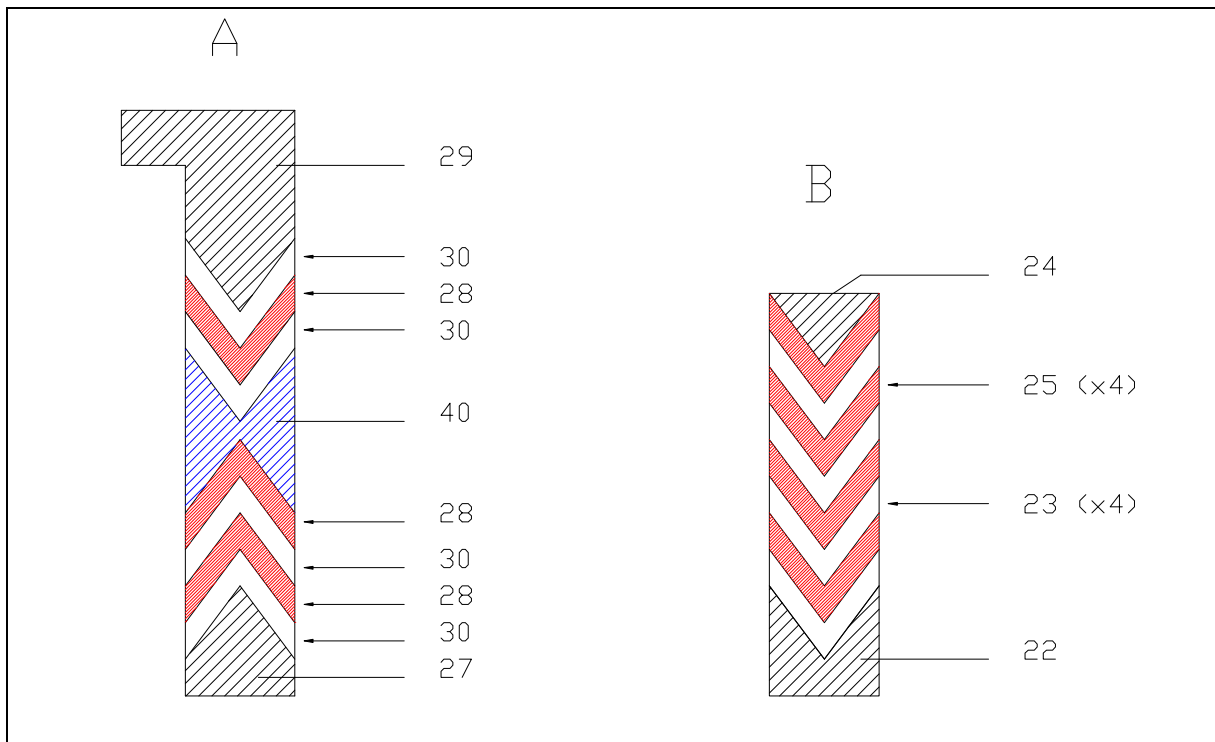
LOWER PACKING

Install the chevron seals (23 and 25), the support washers (22 and 24) on the exhaust valve (20). **Make sure you properly install the parts (refer to detail on drawing).**

Position the whole into exhaust valve (19) and tighten it via the valve nut (26).

Screw and tighten the exhaust valve (19) into the piston (1).

First, apply low strength - Anaerobic Adhesive - Loctite 222 to prevent from the unscrewing of the whole. Lubricate the seals (23 and 25) mounted on the exhaust valve.



CYLINDER

Change in its entirety the rings and the seals (15). They provide the tightness between :

- the cylinder (6) and the upper flange (3) (2 rings and 1 seal \varnothing 72 mm)
- the cylinder (6) and the cartridge body (36) (2 rings and 1 seal \varnothing 50 mm)
- the cylinder (6) and the lower flange (8) (2 rings and 1 seal \varnothing 50 mm)
- the seat of the suction flange (16) and the lower flange (8) (2 rings and 1 seal \varnothing 69 mm).

Lubricate the inside of the cylinder (6) to prevent from damaging the lower packing seals (B) when assembling.

Assemble the upper flange adapter part (4), the upper flange (3) and the cylinder (6).

Tighten the 6 screws (37a and 37b).

SUCTION VALVE

Screw the feed rod (18) in the exhaust valve (19).

Place the suction valve (17), the valve seat (16) in the lower flange (8).

Screw the lower flange adapter part (7) on the cylinder (6).

Place the lower flange (8) under the lower flange adapter part (7).

Hold these 2 parts by means of the 10 screws (5).

FEED VALVE

Assemble the feed valve stop (14), the feed washer (13), the feed valve (12) on the feed rod (18).

Assemble the parts via the washers (11) and the nut (10).

Caution : you must comply with the screwing torque 12 m/kg / 8.86 ft/lbf to tighten the screws (37b and 5).

After assembling the fluid section on the air motor, fill up the cup with lubricant, supply air to the pump and gradually increase pressure to maximum for the setting of the seals.

After half an hour, depressurize the pump and check the torque.