



## SPECIFICATIONS

### AIRMIX<sup>®</sup> PUMPS

**model 08-120 & 08-120 T**

**model 16-120 & 16-120 T**

*Manual : 1003 573.037.212*

*Date : 25/03/10 – Supersede : 26/08/08*

*Modif. : Update*

### ORIGINAL MANUAL

**IMPORTANT : before assembly and start-up, please read and clearly understand all documents relating to this equipment (professional use only).**

PICTURES AND DRAWINGS ARE NON CONTRACTUAL. WE RESERVE THE RIGHT TO MAKE CHANGES WITHOUT PRIOR NOTICE.

### ADDITIONAL DOCUMENTATIONS - SPARE PARTS

<b>PUMPS</b>	<b>08-120 and 08-120 T</b>	<b>16-120 and 16-120 T</b>
Wall mounted unit	Doc. 573.071.050	Doc. 573.069.050
Fluid section	Doc. 573.049.050	Doc. 573.049.050
Air motor	Doc. 573.045.050	Doc. 573.046.050
Reversing block	Doc. 573.087.040	Doc. 573.087.040
Air supply	Doc. 573.403.050	Doc. 573.403.050

### **KREMLIN - REXSON**

150, avenue de Stalingrad

93 245 - STAINS CEDEX – France

☎ : 33 (0)1 49 40 25 25      Fax : 33 (0)1 48 26 07 16

**www.kremlin-rexson.com**



**SPECIFICATIONS**

**STAINLESS STEEL AIRMIX® PUMPS,**  
**model 08-120, 08-120 T, 16-120, 16-120 T**

**1. TECHNICAL FEATURES**

- Stainless steel compact pump / High flow rate.
- Low maintenance and ease of use.

**Recommended for :**

- Supplying one or several spray guns,
- Water-based or solvent-based paints whose viscosity is lower than 1 000 mPa/s.

■ **AIRMIX® PUMP : 08-120 & 08-120 T**

Motor type .....1000-4 or 1000-4 T	Air motor stroke	100 mm	4 inch
Pump body type .....120	Air motor section	100 cm <sup>2</sup>	15.5 sq.in
Fluid pressure ratio.....08/1	Hydraulic section	12 cm <sup>2</sup>	1.9 sq.in
	Delivery per cycle	240 cc	8.5 oz
<b>Wetted parts :</b>	Number of cycle	4 per liter	16 per gallon
Hard chrome stainless steel,	Fluid delivery (30 cycles).	7,2 l	1.9 US Gal
Stainless steel,	Maximum air operating pressure	6 bar	88 PSI
Carbide,	Maximum discharge pressure	48 bar	696 PSI
Polyacetal.	Noise level	76 dBa	76 dBa
<b>Tightness packings :</b>	Maximum operating temperature	60°C	140° F
Upper, fixed : PTFE G + Polyfluid	Weight (wall mounted unit)	27 kg	59.5 lbs
Lower, mobile : PEHD			

■ **AIRMIX® PUMP : 16-120 & 16-120 T**

Motor type ..... 2000-4 or 2000-4 T	Air motor stroke	100 mm	4 inch
Pump body type .....120	Air motor section	200 cm <sup>2</sup>	31 sq.in
Fluid pressure ratio.....16/1	Hydraulic section	12 cm <sup>2</sup>	1.9 sq.in
	Delivery per cycle	240 cc	8.5 oz
<b>Wetted parts :</b>	Number of cycle	4	16 per gallon
Hard chrome stainless steel,	Fluid delivery (30 cycles).	7,2 l	1.9 US Gal
Stainless steel,	Maximum air operating pressure	6 bar	88 PSI
Carbide,	Maximum discharge pressure	96 bar	1392 PSI
Polyacetal.	Noise level	76 dBa	76 dBa
<b>Tightness packings :</b>	Maximum operating temperature	60°C	140° F
Upper, fixed : PTFE G + Polyfluid	Weight (wall mounting pump)	27 kg	59.5 lbs
Lower, mobile : PEHD			

## ■ FITTINGS

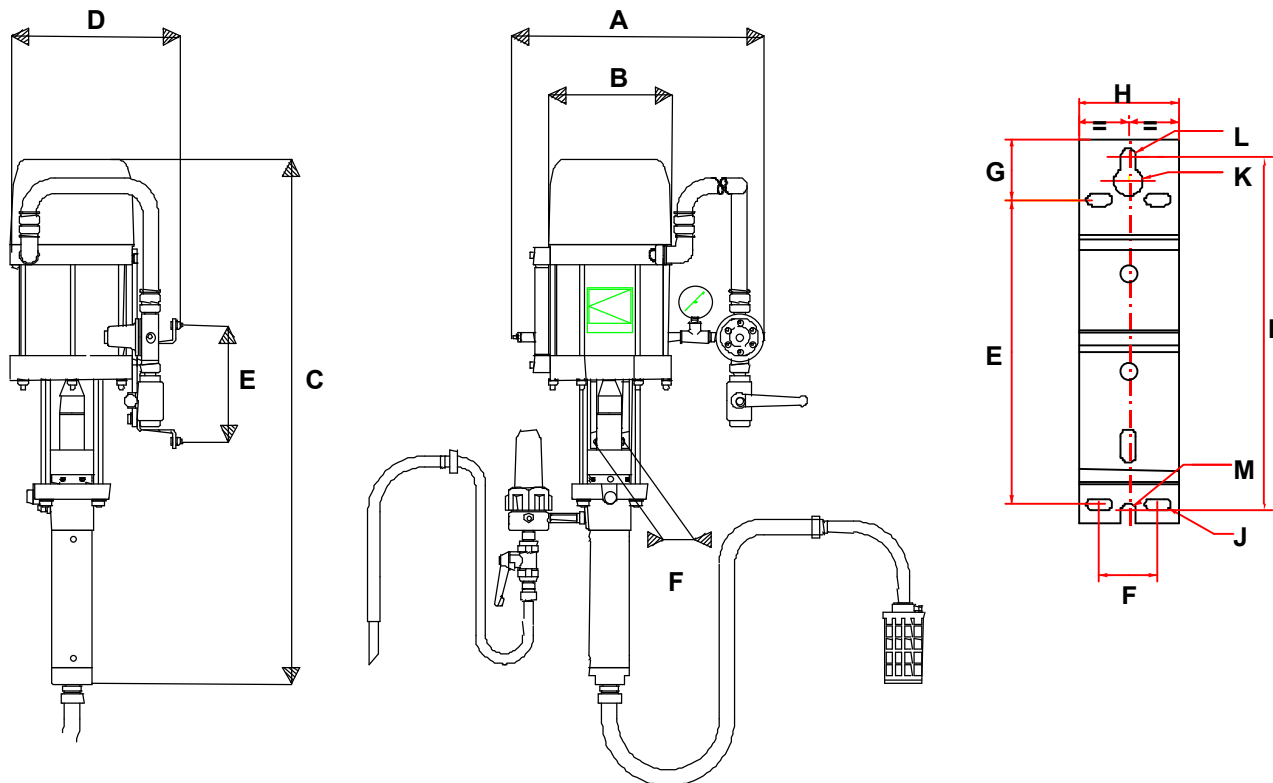
		Bare pump	Pump with equipment
Air	Inlet	Standard air motor : Female 3/8 NPS Turbo air motor : Male 3/4 NPS	Female 3/4 BSP (valve - air supply)
Material	Inlet	Female 1" BSP	Male 26x125
	Outlet	Female 1/2 NPS	Male 1/2 JIC / # 5 JIC (filter outlet)

## ■ HOSES WITH FITTINGS

Pump air supply hose (minimum Ø for a 5m / 16.5 ft length) :	Ø 16 mm / 5/8 dia
AIRMIX ® fluid hose (between pump fluid outlet and spray gun) :	4,8 mm ID / 3/16 dia
Air hose (between "GUN AIR" regulator and spray gun) :	7 mm ID / 1/4 dia
For circulating : HP fluid hose (pump fluid outlet) :	minimum ID 9,52 mm / 3/8" dia

## ■ DIMENSIONS

Ind.	mm	"	Ind.	mm	"	Ind.	mm	"	Ind.	mm	"
A	400	15.75	B	220	8.66	C	840	33	D	270	10.63
E	182	7.2	F	35	1.38	G	36.5	1.43	H	60	2.36
I	211.5	8.3	J	Ø 7 x 15	Ø 0.27 x 0.6	K	Ø 17	Ø 0.67	L	Ø 9	Ø 0.35
M	Ø 9	Ø 0.35									



## 2. SERVICING



---

**WARNING :**

Before any action on the pump, shut off the compressed air supply and depressurize the systems by triggering the spray gun.

---

**The pump is manufactured under the ATEX agreement and can not be modified. KREMLIN REXSON will not be held responsible for any failure to comply with that instruction.**

**Guards (motor cover, coupling shields, connectors,...) have been designed for a safe use of the equipment.  
The manufacturer will not be held responsible for bodily injury or failure and / or property damage due to destruction, the overshadowing or the partial or total removal of the guards.**

### ■ SUCTION VALVE (REFER TO DOC. 573.049.050)

Unscrew suction valve (16) - (If cylinder (2) remains attached to the suction valve, unscrew the whole. Then, hold cylinder (2) by inserting a rod into the cylinder holes designed for this purpose).

The ball (17) is secured on the valve (16) by means of a circlips (18).

Clean the parts.

Reinstall suction valve (16) and seal (19). Replace them if necessary.

### ■ CYLINDER

In order to make easier the disassembly, a hole is drilled in the cylinder (2) at each end.

In relation to the part which is unscrewed first, insert a rod into one of these holes to unscrew the other part.

When reassembling be certain the two seals (19) are installed.

### ■ EXHAUST VALVE AND MOBILE PACKING

Unscrew cylinder (2) and pull it downwards.

Unscrew exhaust valve (6) by holding piston (3).

Remove ball (8) and mobile packing (cup seal ind. 7).

Clean the parts and reinstall them. Replace seals if necessary.

## ■ UPPER PACKING

Separate motor piston rod from hydraulic piston (3).

Unscrew wetting-cup (4) by means of the wrench supplied with the pump.

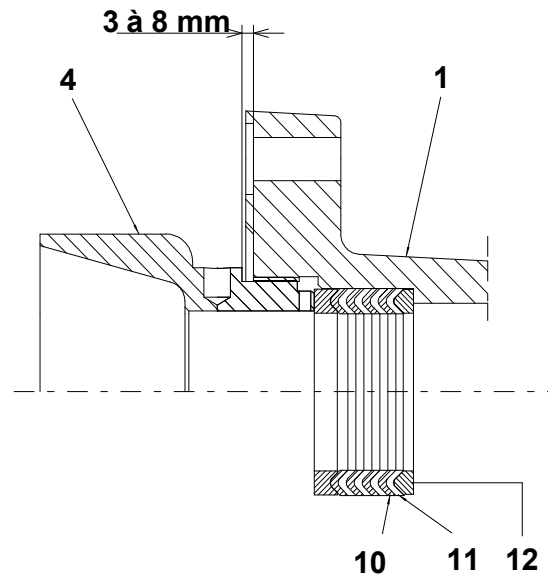
Remove cylinder (2) and pull piston (3) downwards to remove upper packing seals (10 and 11).

Reinstall parts in reverse order. **Be certain seals (10 and 11) are installed properly (direction, order and assembly dimension). On the support washer (12), it is compulsory to install seal (11) and then seal (12) according to the opposite scheme.**

Tighten wetting-cup (4) on upper flange (1).

**After reassembly, fill up the pump with solvent and increase pressure to maximum in the fluid section. Then stop the pump and open exhaust valve to depressurize.**

**Retighten wetting-cup (4) by means of the wrench, in order to be in accordance with the opposite drawing.**



## ■ REVERSING BLOCK (REFER TO DOC. 573.045.050 OR DOC. 573.046.050)

**Guards (motor cover, coupling shields, connectors,...) have been designed for a safe use of the equipment.**

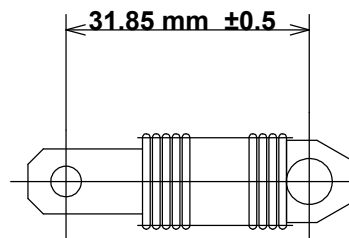
**The manufacturer will not be held responsible for bodily injury or failure and / or property damage due to destruction, the overshadowing or the partial or total removal of the guards.**

Disassemble cover (32) by removing screws CHc (33).

Dissociate female yoke (12) from reversing block lever (9).

Dismount reversing block by removing screws (10 and 8).

Reinstall the new reversing block in the reverse order of the disassembly sequence.

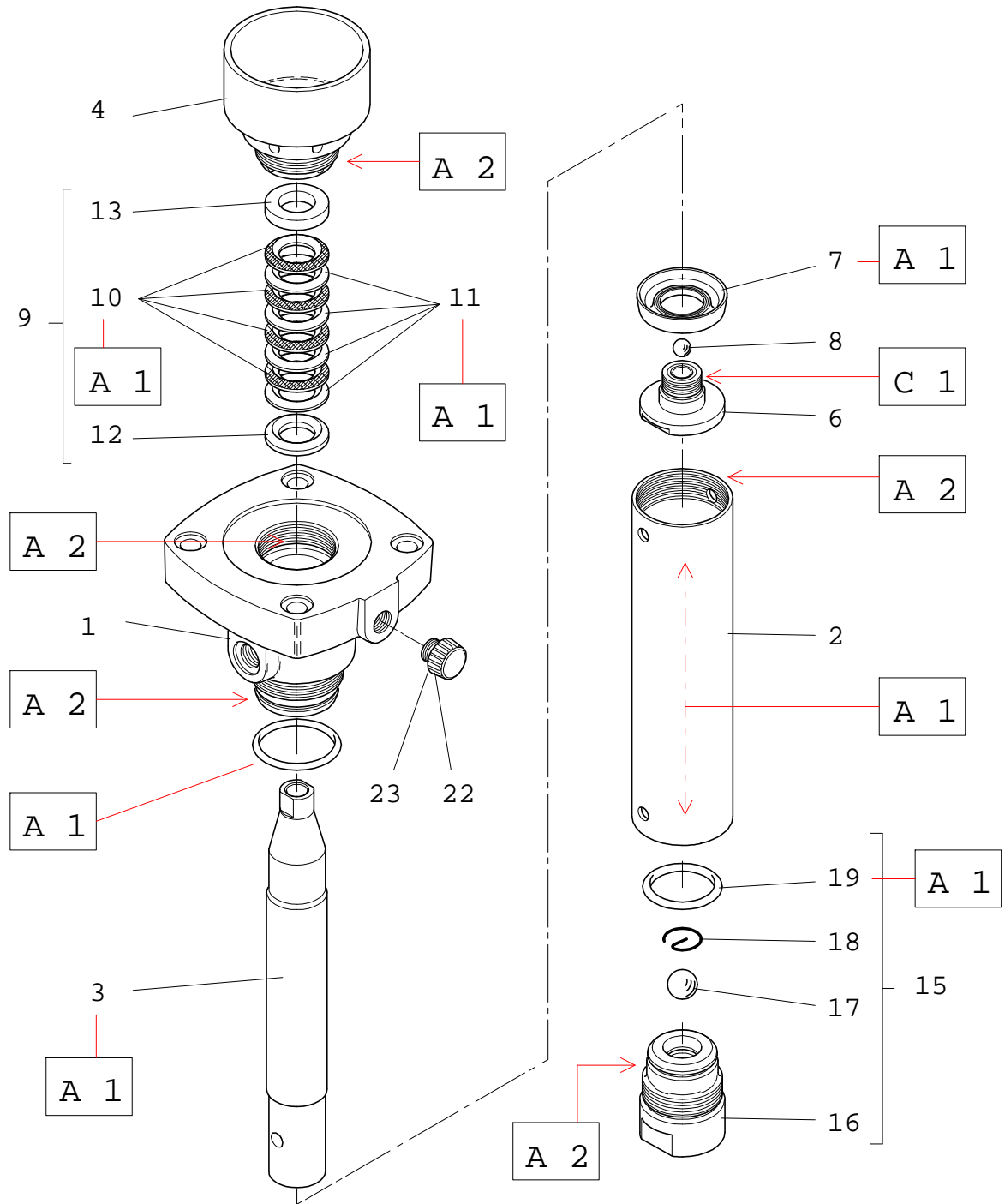


**CAUTION :** The number of spirals must equally be distributed on each fastening parts in order to get the above dimension.

**Before reassembling the different components :**

- Clean the parts with the appropriate cleaning solvent,
- Install new seals if it is necessary, after having lubricated them with PTFE grease,
- Lubricate the piston and the inside of the cylinder to prevent from damaging the seals,
- Install new parts if it is necessary.

■ ASSEMBLY INSTRUCTIONS



Index	Instruction	Description	Part number
<b>A1</b>	PTFE grease	'TECHNILUB' grease (10 ml)	560.440.101
<b>A2</b>	Graphite grease	Graphite grease box (1 kg / 2.204 lb)	560.420.005
<b>C1</b>	Medium strength-Anerobic Pipe Sealant	Loctite 577	