

SPECIFICATIONS

AIRLESS PUMP

**model 40-130
standard**

Manual : 0809 573.017.212

Date : 22/09/08 – Supersede : 14/04/03

Modif. : Update

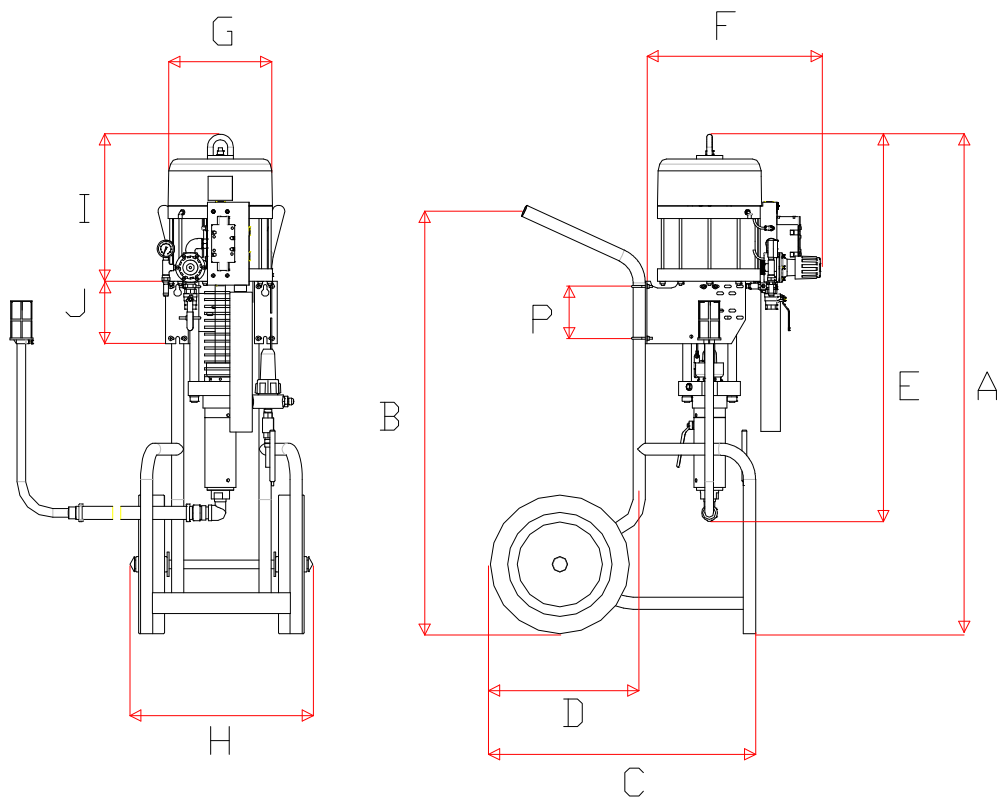
ADDITIONAL DOCUMENTATIONS FOR PUMP, MODEL 40-130 STANDARD

SPARE PARTS :	Wall mounted unit	(doc. 573.224.050)
	Air motor	(doc. 573.174.050)
	Fluid section	(doc. 573.222.050)
	Reversing-block	(doc. 573.087.040)

KREMLIN REXSON - 150, avenue de Stalingrad
93 245 - STAINS CEDEX - FRANCE
Téléphone : 33 (0)1 49 40 25 25 Fax : 33 (0)1 48 26 07 16

■ DIMENSION

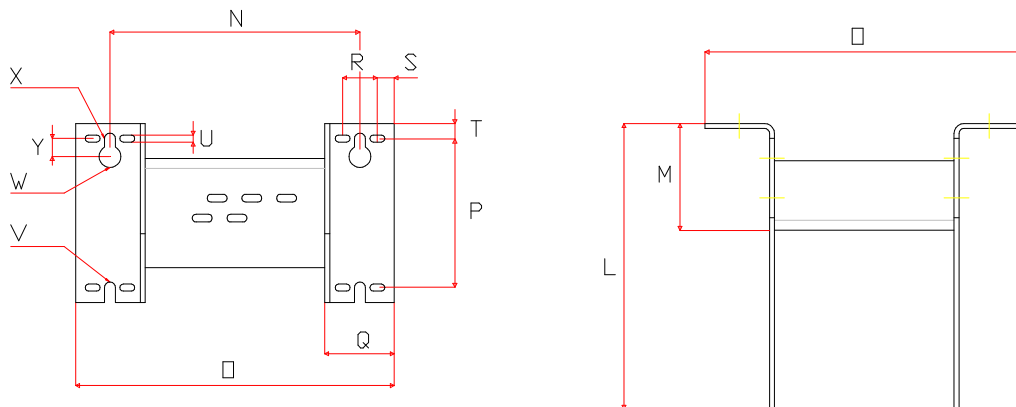
Ind.	mm	"	Ind.	mm	"	Ind.	mm	"
A	1460	57.5	B	1165	45.86	C	725	28.54
D	390	15.35	E	1120	44.1	F	510	20.07
G	Ø 300	Ø 11.8 - 13/16	H	530	20.86	I	414	16.30
J	180	7.1	L	288	11.34	M	107.5	4.23
N	251	9.9	O	321	12.64	P	150	5.90
Q	70	2.75	R	35	1.38	S	17	0.67
T	15	0.59	U	7 x 15	0.27 x 0.59	V	Ø 11	Ø 0.43 - 7/16
W	Ø 22	Ø 0.87 - 7/8	X	Ø 11	Ø 0.43 - 7/16	Y	18	0.71



WALL MOUNTED BRACKET OF THE PUMP

Front view

Above view



2. MAINTENANCE



WARNING :

Before any action on the pump, shut off the compressed air supply and depressurize the systems by triggering the spray gun.

■ FLUID SECTION OR AIR MOTOR REPLACEMENT (DOC. 573.224.050)

Position the air motor piston in a high position before shutting off the compressed air and before depressurizing the system.

Disassemble all the accessories of the pump (rods, filter).

Disassemble the pump from the cart, then from the bracket by removing the nuts that hold on the U-bolts.

Put aside the pump (the pump is fitted with an hoisting ring).

Remove the 3 nuts (4) that hold on the 3 tie-rods (3).

Disassemble the air motor from the fluid section by removing the coupling rod from the air motor and the piston from the air motor (hold on the coupling rod and unscrew the piston by means of a wrench).

When changing the fluid section:

Position the spring protection on the new fluid section piston, assemble the air motor and the fluid section, the tie-rods and the nuts.

Position the whole on the wall mounted unit.

When changing the air motor :

Remove the air supply from the old air motor and assemble it on the new one.

Assemble the new air motor and the fluid section (as it is specified previously).

Fix the pump on its bracket.

■ SUCTION VALVE (DOC. 573.222.050)

Unscrew the suction valve (16). (If the cylinder (2) remains attached to the suction valve, unscrew both parts, then hold cylinder (2) by inserting a rod into the cylinder holes designed for this purpose).

The ball (17) is secured on the valve (16) by means of a circlips (18).

Clean the parts.

Reinstall the suction valve (16) and the seal (19). Replace the parts if it is necessary.

■ CYLINDER (DOC. 573.222.050)

In order to make easier the disassembly, a hole is made in the cylinder (2) at each end.

Depending on the part that it is unscrewed first, insert a rod into one of these holes to unscrew the other part.

When reassembling, make sure the two seals (19 and 24) are installed. Lubricate the inside of the cylinder to prevent from damaging the mobile packing.

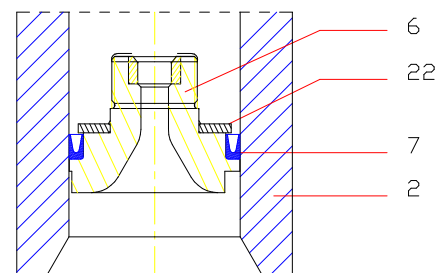
■ EXHAUST VALVE AND MOBILE PACKING (DOC. 573.222.050)

Unscrew the cylinder (2) and pull it downwards.

Unscrew the exhaust valve (6) by holding the piston (3).

Remove the ball (8), the ring (22) and the GT seal (7).

Clean all the parts and replace them by changing the seals if it is necessary. **Comply with the GT seal installation order.**

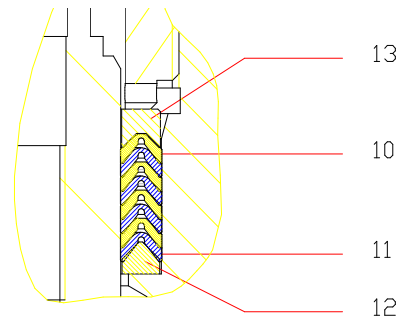


■ UPPER PACKING (DOC. 573.222.050)

Disassemble the coupling rod from the air motor and the piston (3) from the fluid section.

Unscrew the wetting-cup (4) by means of the wrench provided with the pump.

Unscrew the cylinder (2) and pull the piston (3) downwards. Pull the upper packing (9) upwards and remove the seals (10 and 11).



Reassembly

On the support washer (12), install the seals (10 and 11) (**comply with orientation and order**) as well as the blocking washer (13).

You must install a seal (11), then another one (10) according to the opposite drawing. The first seal in contact with the material must be the stiffer one.

Position the whole on the cone-shaped tool supplied with the fluid section (32).

Slide the piston (3) into the flange (1) by inserting it from bottom to top.

Position the tool (32) equipped with the seals on the upper part of the piston.

Slide all the seals on the piston. The tool (32) prevents from damaging the seals when assembling the piston.

Remove the tool (32).

Position all the seals (always set up on the piston) into the upper flange (1).

Hold the piston to prevent from its sliding downwards.

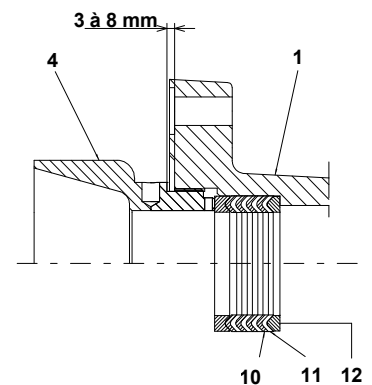
Tighten by hand the wetting-cup (4) without tightening the upper flange (1).

After reassembling, fill up the pump with solvent and increase progressively the pressure to maximum

→ setting up of the seals.

After half an hour, stop the pump and open the exhaust valve to depressurize.

Retighten the wetting-cup (4) by means of the wrench supplied with the pump in order to be in accordance with the opposite drawing. Comply with assembly dimension.



■ AIR MOTOR REVERSING BLOCK (DOC. 573.174.050)

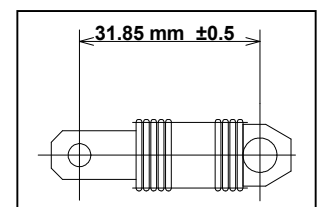
Disassemble the air motor cover (31) by removing the nut (33).

Dissociate the female yoke (14) from the reversing block lever (10).

Dismount the reversing-block by removing the screws (11).

Remount the new reversing-block in the reverse order of the disassembly sequence.

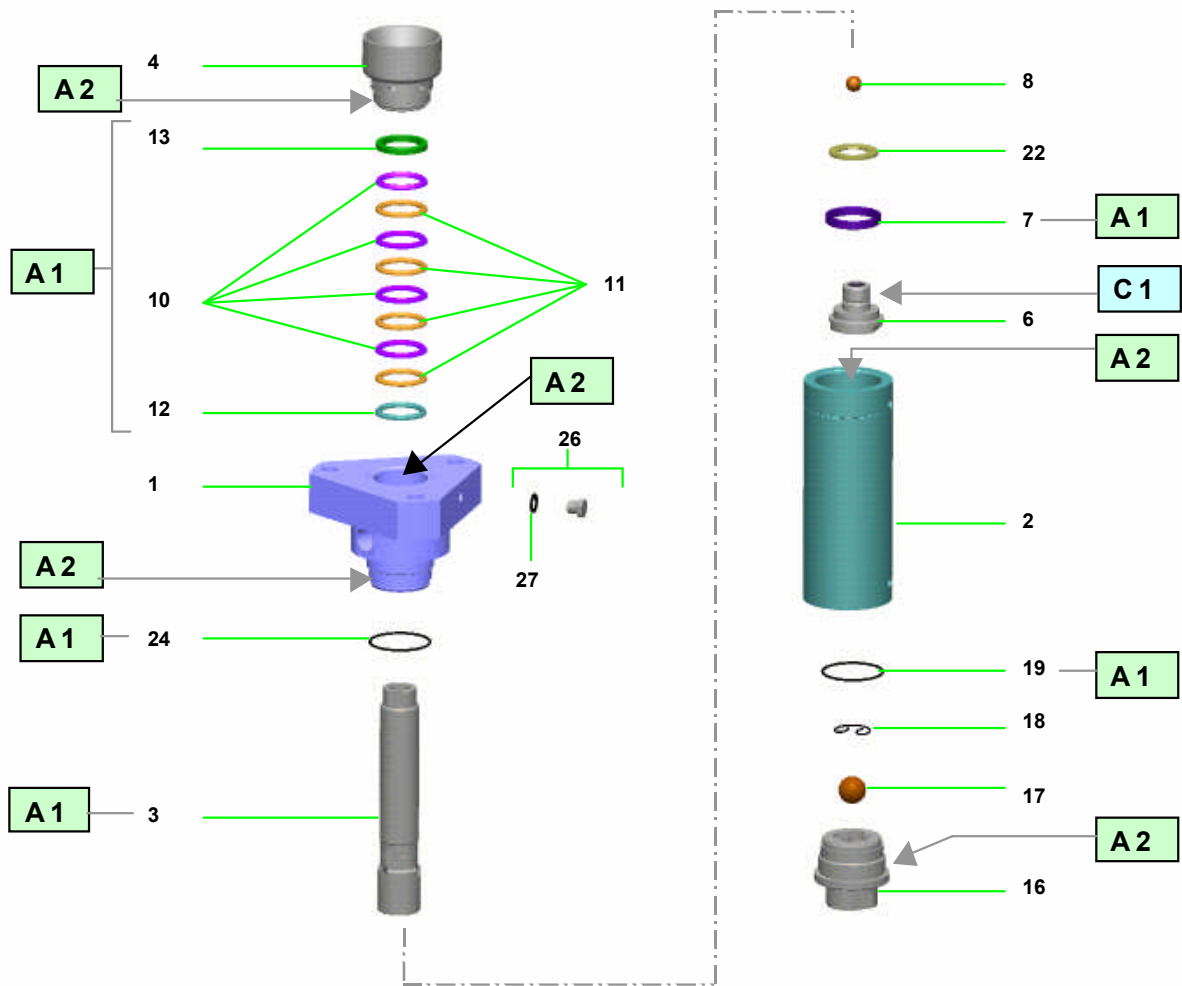
⚠ CAUTION : the number of spirals must equally be distributed on each fastening parts in order to get the above dimension.



Before reassembling the different components :

- Clean the parts with the appropriate cleaning solvent.
- Install the new seals if it is necessary after having lubricated them with PTFE grease.
- Lubricate the piston and the inside of the cylinder to prevent from damaging the seals.
- Install new parts if it is necessary.

■ ASSEMBLY INSTRUCTIONS



Index	Instruction	Description	Part number
A1	PTFE grease	'TECHNILUB' grease (10 ml)	560.440.101
A2	Graphite grease	Graphite grease box (1 kg / 2.204 lb)	560.420.005
C1	Medium strength Aneorobic Pipe sealant	Loctite 577	